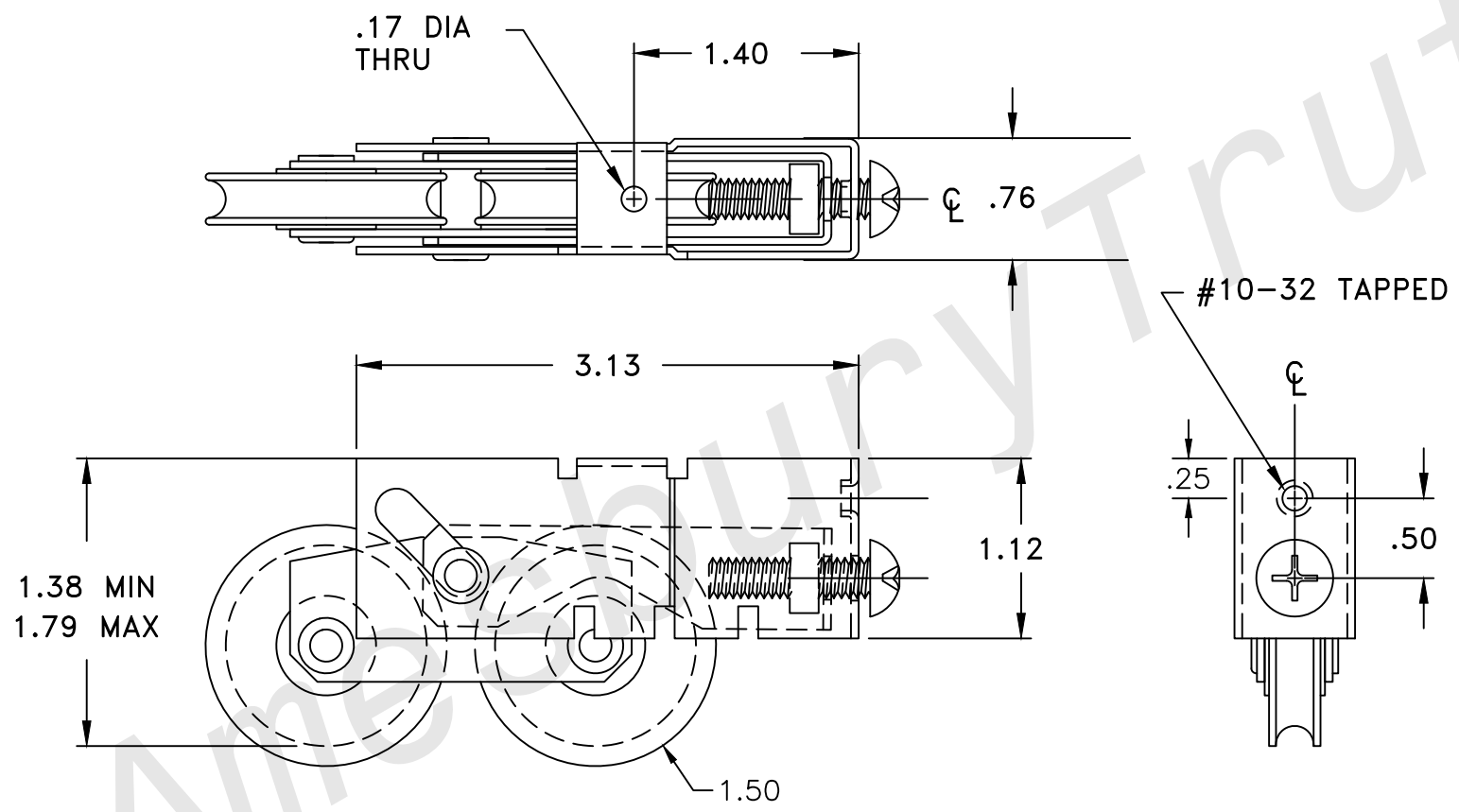
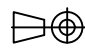



DATE	DESCRIPTION	REV	ECN #	BY
------	-------------	-----	-------	----



CUSTOMER PAGE

<p>The information contained in this drawing is confidential and proprietary. This drawing is not to be copied or reproduced in whole or in part without express written permission. The information contained in this drawing is not to be disclosed or used in the performance of services or manufacture of goods for any other party without express written permission.</p>	DRAWN:	INTERPRET PER: ASME Y14.5M-1994	DRAWING TITLE:	
	DATE: 2/22/22	UNITS: INCH	TA-36-BSS-150-C2	
	THIRD ANGLE PROJECTION			
		PART #:	REV	
		1936-6000-2SS		
		SCALE:	SHEET	OF

Engineered Solutions. Trusted Results.